



- 1. 555
- 2. LED GM5BC01250AC
- 3. OSL2051A-LR

1. 555

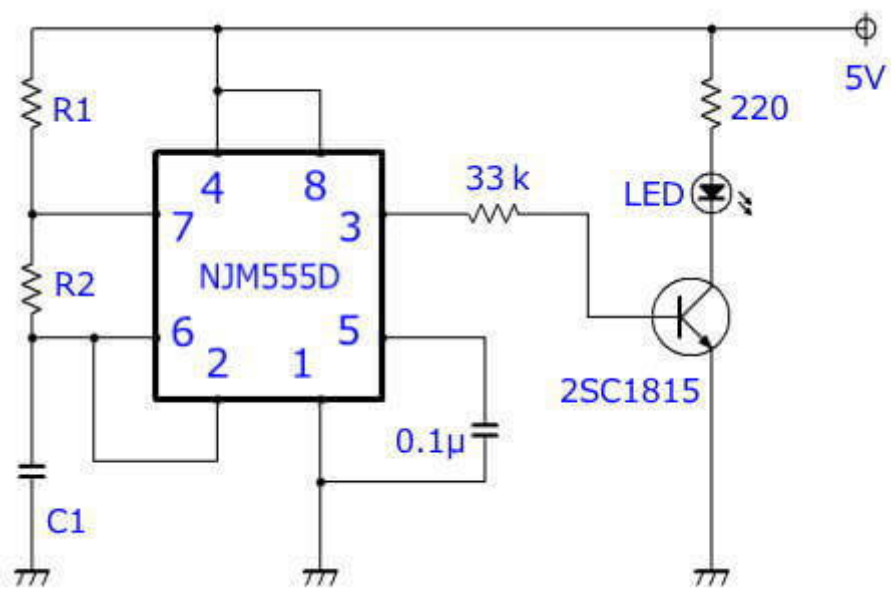
1.1.

AM
 IC NJM555D 50 300
 IC IC

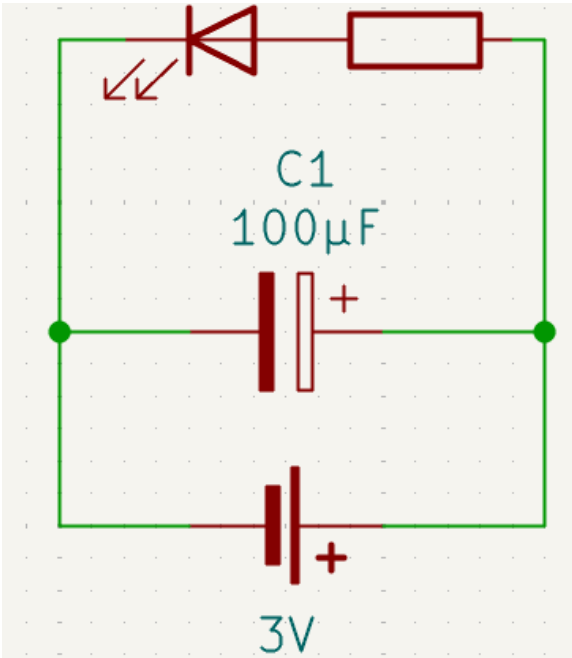
*
 *

1.2. IC555

https://875s.com/kousaku/8ic1_timer2.html



LED
 * GND ←



✳KiCad✳ <https://www.kicad.org>

100Ω

LED

LED

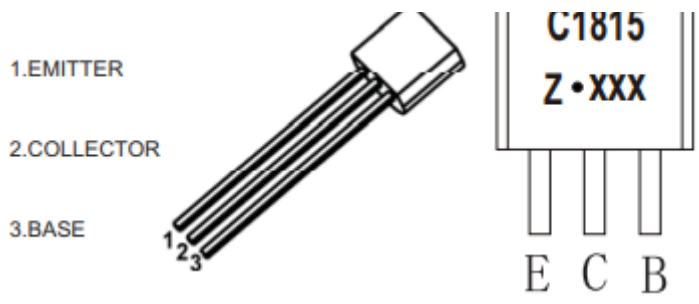
R1 5kΩ

2SC1815

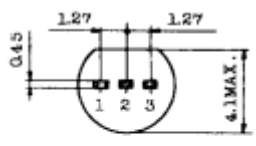
→

...

https://akizukidenshi.com/goodsaffix/2sc1815_jcet.pdf



<http://www.op316.com/tubes/tips/image/2sc1815.pdf>



- 1. エミッタ
- 2. コレクタ
- 3. ベース

1.4. □□□

2. LED GM5BC01250AC

https://akizukidenshi.com/goodsaffix/gm5_01210a_01200a_01250ac.pdf



3. OSL2051A-LR



<https://oreablog.dogsalon-rosa.com/sound-from-both-speakers-and-earphones-on-a-desktop-pc/>

<https://akizukidenshi.com/goodsaffix/OSL2051A-XX.pdf>